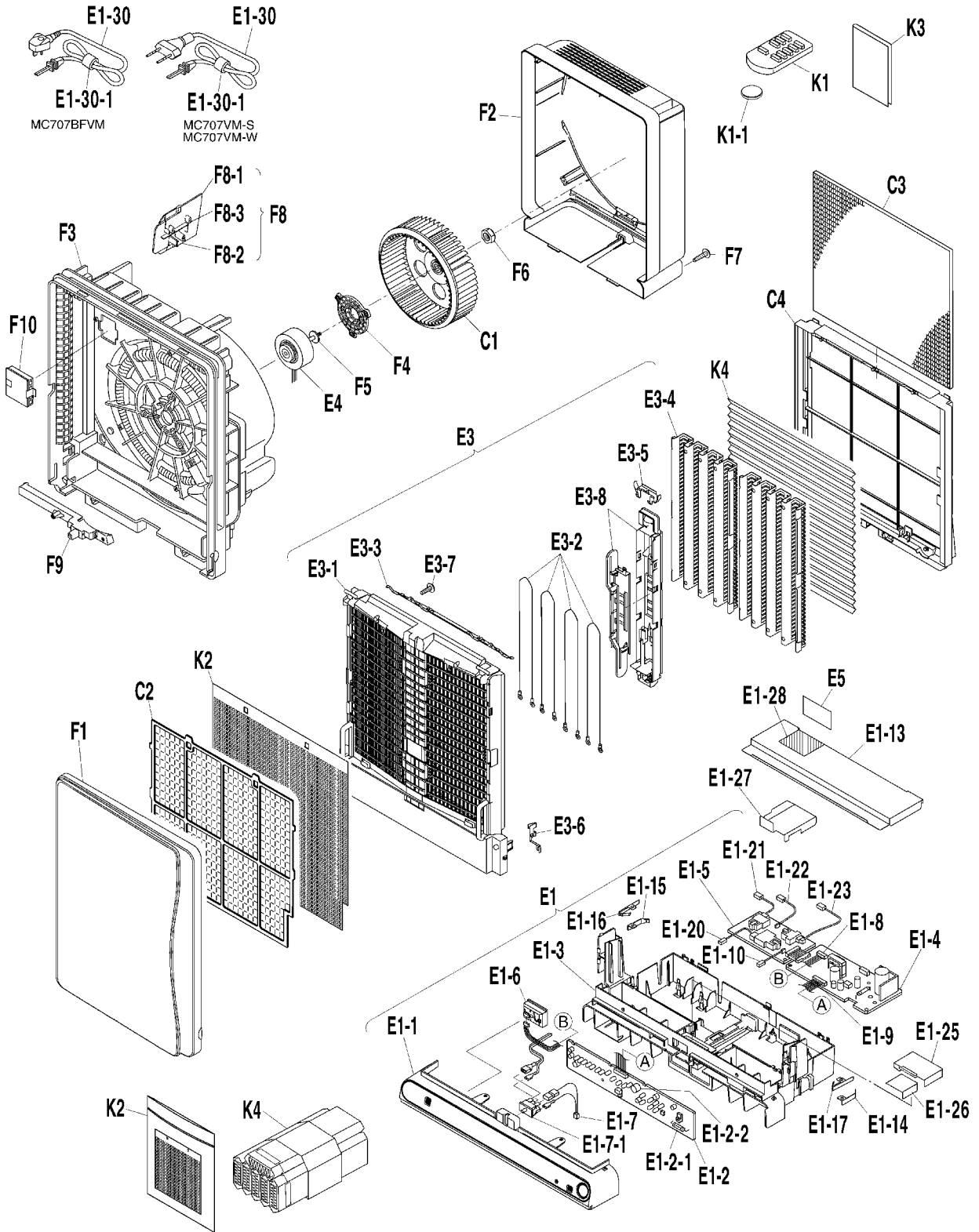


MC707BFVM, MC707VM-S, MC707VM-W

— TOP —



No.	INDEX	PartsNo.	PartsName	DrwgNo.	PartsModel & Specification	Q'ty	Wiring Symbol	Price	REPAIR INFORMATION	P/L made by
C1		1664368	FAN ROTOR	3P140375-2	QS28B1C	1		4,800		DIL
C2	A	1650679	AIR FILTER	2P162785-1		1		1,000		DIL
C3	A	165081J	DEODORANT FILTER	3P143191-3		1		4,000		DIL
C4		1661718	HOLDING PLATE	1P162982-2		1		1,400		DIL
E1			SWITCH BOX ASS'Y	1P170698-1		1				
E1-1		1661725	SWITCH BOX ASS'Y (FRONT)	3P164651-6		1		5,200		DIL
E1-2	A	1661732	PRINTED CIRCUIT ASS'Y (ANNUNCIATOR)	3P137407-2		1	A3P	4,800		DIL
E1-2-1	B	110579J	THERMISTOR (FOR AIR)	3EB70048-2		1		110		DIL
E1-2-2	A	118956J	GAS SENSOR	3EB86005-2	TGS2600-B02	1		530		DIL
E1-3		1664375	SWITCH BOX ASS'Y (REAR)	1P139061-4		1		2,500		DIL
E1-4	A	1661749	PRINTED CIRCUIT ASS'Y (CONTROL)	3F006727-5		1	A1P	7,200		DIL
E1-5	A	1667855	PRINTED CIRCUIT ASS'Y (HVU)	3F006728-2	HVU	1	A2P	10,800		DIL
E1-6	A	1661763	DUST SENSOR	3EB86010-2	GP2Y1010AU0F	1	A4P	2,170		DIL
E1-7		156680J	WIRE HARNESS ASS'Y (SAFETY SWITCH)	4P141208-1		1				
E1-7-1	A	094435J	SAFETY SWITCH	4P008757-1		1	K1A	520		DIL
E1-8		1661770	WIRE HARNESS ASS'Y (DUST SENSOR)	4P170354-1		1				
E1-9		158230J	WIRE HARNESS ASS'Y (DISPLAY)	4P141210-1		1				
E1-10		1661787	WIRE HARNESS (FOR EARTH OF DUST)	4P170376-1		1				
E1-13		1664382	COVER, SWITCH BOX	3P138889-2		1		1,000		DIL
E1-14	B	1652808	CONTACT	4P162381-1		1		400		DIL
E1-15	B	1652815	CONTACT	4P162381-2		1		440		DIL
E1-16	B	1652822	CONTACT	4P162384-1		1		400		DIL
E1-17	B	1652839	CONTACT	4P162384-2		1		400		DIL
E1-20		1650903	WIRE HARNESS (FOR STREAMER)	4P141211-2		1				
E1-21		165091J	WIRE HARNESS (FOR DUST COLLECTION)	4P141212-1		1				
E1-22		166179J	WIRE HARNESS (FOR EARTH OF NEGATIVE ION)	4P141213-1		1				
E1-23		166180J	WIRE HARNESS (FOR NEGATIVE ION)	4P141214-1		1				
E1-25		1664399	COVER, OPERATION SWITCH	4P138898-2		1		520		DIL
E1-26		1661819	COVER, OPERATION SWITCH	4P170507-1		1		600		DIL
E1-27		1662564	COVER	3P168112-1		1		800		DIL
E1-28		1662571	SEALING MATERIAL	4P169543-1	ONE-SIDE ADHESIVE APPLYING	1				
E1-30		1661826	POWER CORD ASS Y	3P170481-1		1		3,420		DIL
E1-30-1	C	104966J	FERRITE CORE	4EB76040-1	ZCAT2032-0930	1	Z1C	680		DIL
E3		1650686	FRAME PLATE ASS'Y, IONIZER	2P164122-1		1		10,700		DIL
E3-1		1650693	FRAME PLATE, IONIZER	1P162979-1		1		3,600		DIL
E3-2		1641435	IONIZER	4P142431-1		4		270		DIL
E3-3		1650701	SET PLATE, IONIZER	3P162622-1		1				
E3-4		165072J	DUST COLLECT PLATE	3P163767-1		2		1,860		DIL
E3-5		1650732	GROUNDING PLATE	4P162571-1		1				
E3-6		1652846	EARTH PLATE	4P162570-1		1				
E3-7		827920J	TAPPING SCREW	4SK05108-12	M4x12	6		20		DIL
E3-8		1650749	ANODE PLATE ASS'Y	3P164123-1		1				
E4	A	1661857	FAN MOTOR	3SB40616-1	D30A-28	1	M1F	11,700		DIL
E5		156693J	SEALER	4P132680-4		1				
F1		1661864	FRONT PANEL ASS'Y	3P164442-4		1		9,580		DIL

F2		1566952	REAR PLATE	1P139008-1		1		5,250		DIL
F3		1650631	CASING FRAME	1P148105-3	AA(RE SIN)	1		5,800		DIL
F4		1478257	SET PLATE, FAN MOTOR	2P114965-1		1		320		DIL
F5		1664407	PLAIN WASHER	4P114690-3		1		300		DIL
F6		043709J	U-NUT	TU40031-2	M8	1				
F7		109360J	GROUNDING TERMINAL	4SK05108-16	M4	12		20		DIL
F8		1567001	SET PLATE ASS'Y	3P142589-1		1				
F8-1		1566983	SET PLATE	2P139015-1		1				
F8-2		1567018	ANODE PLATE	3P137796-1		1				
F8-3		1567025	GROUNDING PLATE	4P137797-1		1				
F9		1650802	STREAMER CONTACT	3P164859-1		1				
F10		1650662	FIXING SEAT	3P139017-1		1				
K1	A	1623158	WIRELESS REMOTE CONTROLLER ASS'Y	3P105704-2	ARC437A3	1		1,800		DIL
K1-1		1364024	BATTERY	4EB77001-1	CR2025	1		1,200		DIL
K2	A	1661903	BIO-ANTIBODY FILTER	4P168877-1	OPTIONAL ACCESSORY KAF972A	1		2,160		DIL
K3			OPERATION MANUAL	3P167171-1		1				
K4	A	1661895	PLEATED FILTER	4P169539-1	OPTIONAL ACCESSORY KAC972A	1		5,600		DIL