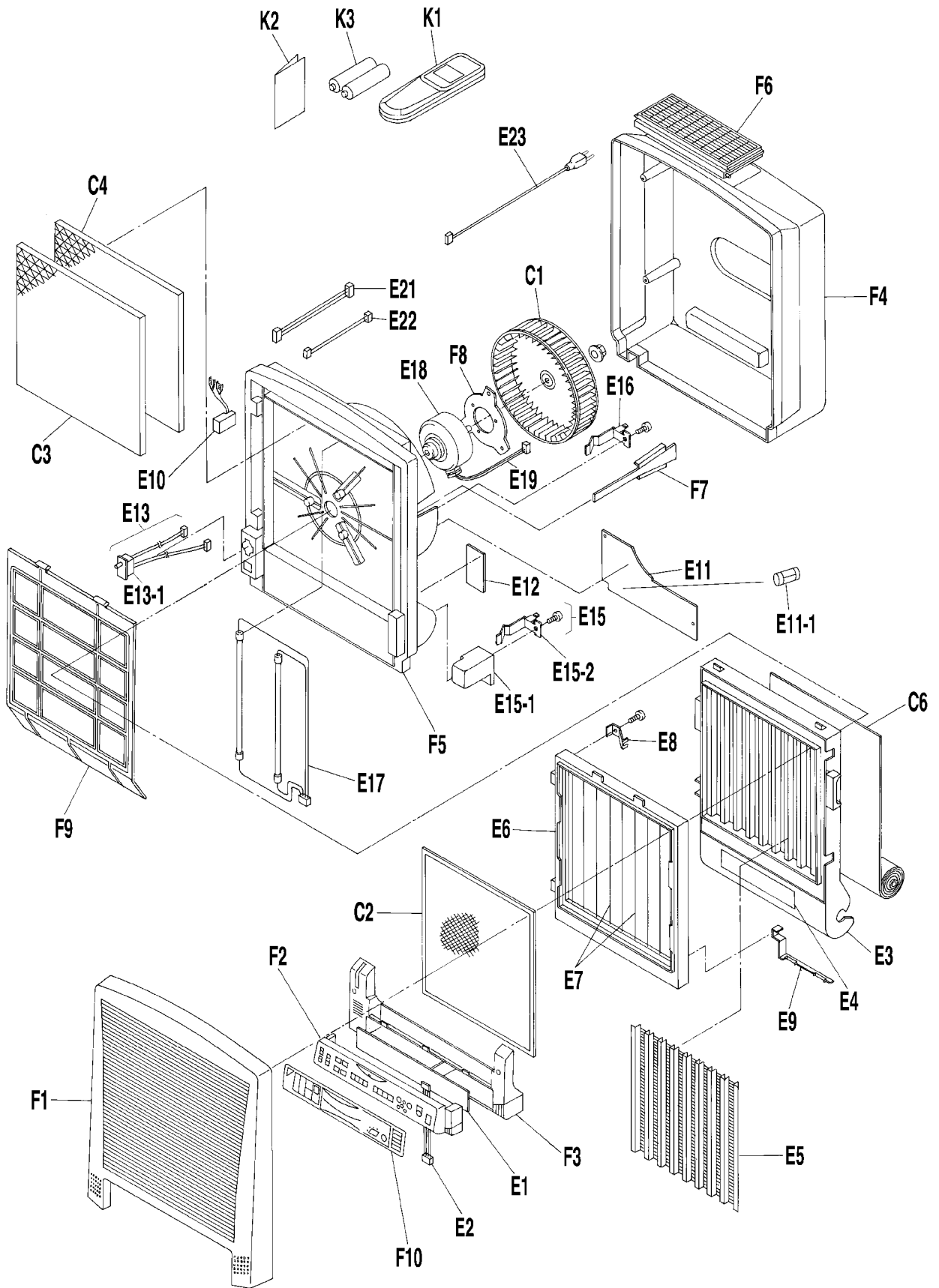


MC401VE

— TOP —



De l	No .	Ind ex	PartsNo.	PartsName	DrwgNo.	PartsMod el & Specificat ion	Q't y	WiringSy mbol	Pric e	Sto ck	Repair Info.	P/L made by	Order Q'ty	Excha nge	DI V
<input type="checkbox"/>	C1		1127201	SIROCCO FAN ASS'Y	3P040480-2		1		1,920			DIL	<input type="text" value="1"/>		
<input type="checkbox"/>	C2	A	1119541	PRE-FILTER	3P040468-1		1		800			DIL	<input type="text" value="1"/>		
<input type="checkbox"/>	C3	A	1119565	AIR FILTER	3P037627-1		1		2,800			DIL	<input type="text" value="1"/>		
<input type="checkbox"/>	C4	A	1119572	AIR FILTER	3P037627-2		1		2,800			DIL	<input type="text" value="1"/>		
<input type="checkbox"/>	C6	A	1204038	ROLL FILTER ASS'Y	4P056567-2		1		7,200			DIL	<input type="text" value="1"/>		
<input type="checkbox"/>	E1	A	1204184	PRINTED CIRCUIT BOARD (DISPLAY)	2P057722-1	EH0004	1	A2P	6,000			DIL	<input type="text" value="1"/>		
<input type="checkbox"/>	E2		1127218	WIRE HARNESS (FOR DISPLAY)	4P041558-1		1		500			DIL	<input type="text" value="1"/>		
<input type="checkbox"/>	E3		1127225	CASING, ROLL FILTER	1P040619-1		1		1,680			DIL	<input type="text" value="1"/>		
<input type="checkbox"/>	E4		1083301	OPERATION PLATE	4P031138-1		1						<input type="text" value="1"/>		
<input type="checkbox"/>	E5	A	1127249	ELECTRODE PLATE	3P041555-1		1		1,500			DIL	<input type="text" value="1"/>		

<input type="checkbox"/>	E6		1127256	IONIZER WIRE SET FRAME	1P040616-1		1		1,800			DIL	1		
<input type="checkbox"/>	E7	A	1126479	IONIZER WIRE ASS'Y	4P042943-1		2		520			DIL	2		
<input type="checkbox"/>	E8	B	1127263	(Stopped parts) SPRING (GROUND WIRE)	4P041556-1		1		320			DIL	1		
<input type="checkbox"/>	E9	B	1127270	SET PLATE, IONIZER WIRE	3P041721-1		1						1		
<input type="checkbox"/>	E10	A	1101603	PRINT CIRCUIT (HIGH VOLTAGE)	3P041572-1	ECXC3018	1	A4P	2,150			DIL	1		
<input type="checkbox"/>	E11	A	1194559	PRINTED CIRCUIT (CONTROL)	2P057721-1	EH0003	1	A1P	8,820			DIL	1		
<input type="checkbox"/>	E11-1	A	0509002	FUSE	3EB82010-1	3.15A 250V D5.2XL20	1	F1U			ROHS-A	DIL	1		A
<input type="checkbox"/>	E12	A	1187359	PRINT CIRCUIT BOARD (INVERTER)	3P058359-1	EH0011	1	A3P	1,200			DIL	1		
<input type="checkbox"/>	E13		1127287	WIRE HARNESS (SAFETY SWITCH)	4P041606-1		1						1		

<input type="checkbox"/>	E1 3-1	B	0944357	SWITCH	4P008757-1		1	DS1	520			DIL	<input type="text" value="1"/>		
<input type="checkbox"/>	E1 5	A	0948809	(Stopped parts) HIGH VOLTAGE CONTACT ASS'Y	4P010108-1		1		480			DIL	<input type="text" value="1"/>		
<input type="checkbox"/>	E1 5-1		1021257	(Stopped parts) HIGH VOLTAGE CONTACT FRAME	3P009404-1		1		480			DIL	<input type="text" value="1"/>		
<input type="checkbox"/>	E1 5-2		0948816	(Stopped parts) HIGH VOLTAGE CONTACT	4P010467-1		1		240			DIL	<input type="text" value="1"/>		
<input type="checkbox"/>	E1 6	A	0948816	(Stopped parts) HIGH VOLTAGE CONTACT	4P010467-1		1		240			DIL	<input type="text" value="1"/>		
<input type="checkbox"/>	E1 7	B	1204045	LAMP ASS'Y	3P064207-1		1		2,520			DIL	<input type="text" value="1"/>		
<input type="checkbox"/>	E1 8	A	1194566	FAN MOTOR	3P063028-1	KFD-280-17-8A 8P 17W 280V	1	M1F	7,100			DIL	<input type="text" value="1"/>		
<input type="checkbox"/>	E1 9		1127294	WIRE HARNESS (FOR FAN MOTOR)	4P041605-1		1		550			DIL	<input type="text" value="1"/>		
<input type="checkbox"/>	E2		1188794	WIRE	4P059255-		1						<input type="text" value="1"/>		

	1			HARNESS (FOR HVU)	1										
<input type="checkbox"/>	E2 2		1127326	WIRE HARNESS (INVERTER)	4P041607- 1		1							1	
<input type="checkbox"/>	E2 3		1214352	POWER CORD	3P060210- 1		1		1,48 0			DIL		1	
<input type="checkbox"/>	F1		1119510	FRONT PLATE	1P040502- 1		1				DG1726	DIL		1	A
<input type="checkbox"/>	F2		1127333	CONTROL DISPLAY COVER (FRONT)	1P040421- 1		1		660			DIL		1	
<input type="checkbox"/>	F3		1127340	CONTROL DISPLAY COVER (REAR)	1P040459- 1		1		630			DIL		1	
<input type="checkbox"/>	F4		1204052	REAR PLATE	1P058586- 1		1		13,4 00			DIL		1	
<input type="checkbox"/>	F5		1214369	CASING FRAME (MIDDLE)	1P058669- 1		1		30,4 00			DIL		1	
<input type="checkbox"/>	F6		1119558	DISCHARGE GRILLE	2P040347- 1		1		500			DIL		1	
<input type="checkbox"/>	F7		1127357	LEAD WIRE SUPPORT	3P040466- 1		1		110			DIL		1	
<input type="checkbox"/>	F8		0948203	MOTOR MOUNTING PLATE	3P006693- 1		1		310			DIL		1	

<input type="checkbox"/>	F9		1214376	SET PLATE	1P058499-1		1			DG0573 7	DIL	<input type="text" value="1"/>		A
<input type="checkbox"/>	F1 0		1214383	DISPLAY NAME PLATE	1P063105-1		1	600			DIL	<input type="text" value="1"/>		
<input type="checkbox"/>	F1 5			BOLTS AND NUTS LIST	3P064658-1		1					<input type="text" value="1"/>		
<input type="checkbox"/>	K1	A	1194573	WIRELESS REMOTE CONTROLLE R	3P026240-6	ARC17A5 3	1	2,00 0			DIL	<input type="text" value="1"/>		
<input type="checkbox"/>	K2			OPERATION MANUAL	3P026236-21		1					<input type="text" value="1"/>		
<input type="checkbox"/>	K3		1114003	BATTERY PACK	4PH14023-2		1					<input type="text" value="1"/>		

—