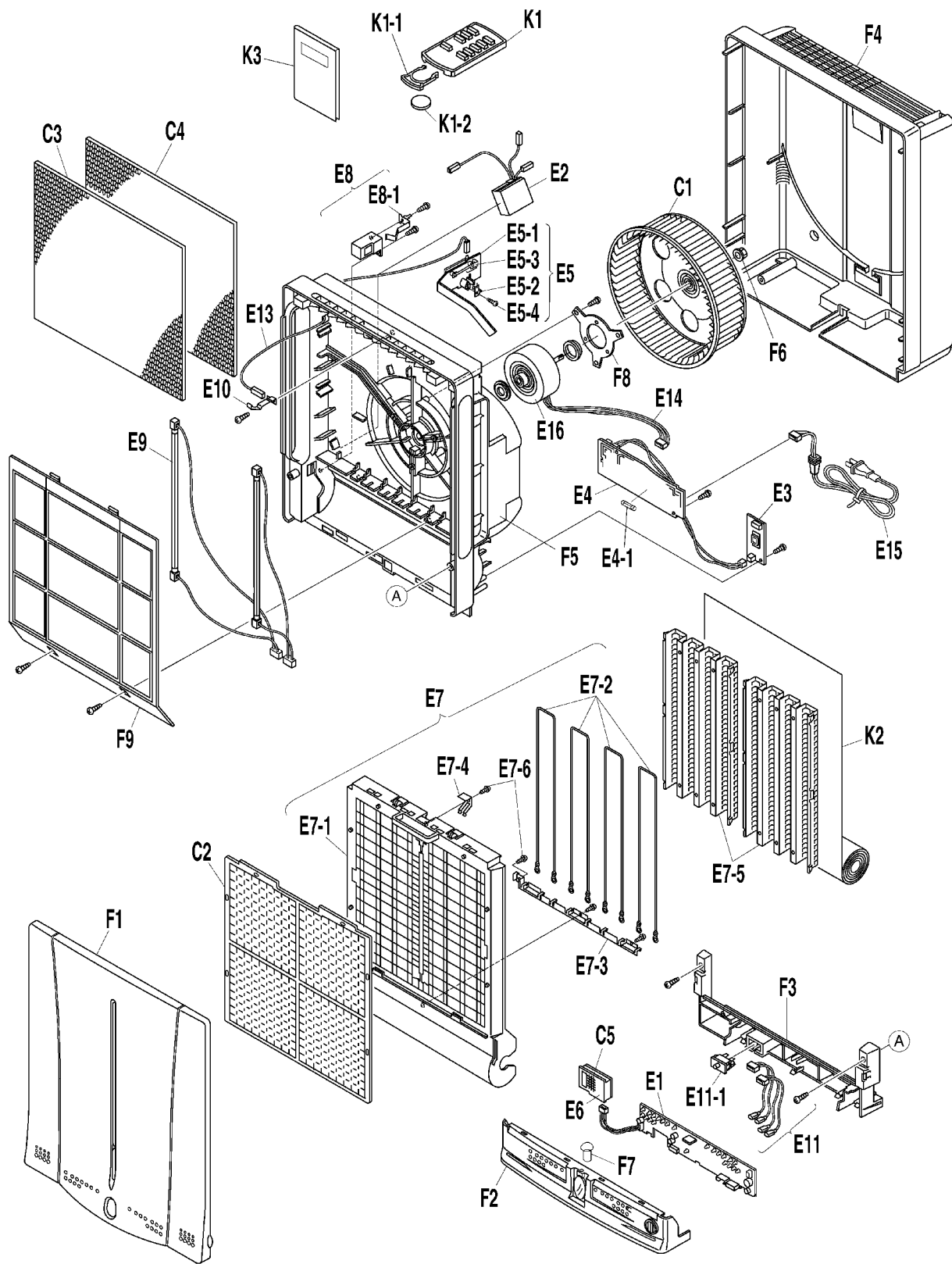


— TOP —



No.	INDEX	PartsNo.	PartsName	Q'ty	WiringSym
C1		1248076	SIROCCO FAN ASS'Y	1	
C2	A	1362631	AIR FILTER	1	
C3	A	1365368	PHOTOCATALYTIC FILTER	1	
C4	A	1365375	PHOTOCATALYTIC FILTER	1	
C5	A	1188718	AIR FILTER, DUST SENSOR	1	
E1	A	1388013	PRINTED CIRCUIT (CONT./INDICATOR)	1	A2P,BZ
E2	A	1362718	HIGH VOLTAGE UNIT	1	A4P
E3	A	1187359	PRINTED CIRCUIT (INVERTER)	1	A3P
E4	A	1397675	PRINTED CIRCUIT (POWER UNIT)	1	A1P
E4-1	A	0608055	FUSE	1	Fu1
E5		1365382	RETAINER, LEAD WIRE	1	
E5-1		1363812	CLAMP, LEAD WIRE	1	
E5-2		1363829	ANODE PLATE	1	
E5-3		1363836	GROUNDING TERMINAL	1	
E5-4		1363843	TAPPING SCREW	1	
E6	B	1362732	DUST SENSOR	1	A5P
E7	A	1365399	IONIZER ASS'Y	1	
E7-1		1363850	FRAME PLATE, IONIZER	1	
E7-2		1363867	IONIZER ASS'Y	4	
E7-3		1363874	SET PLATE, IONIZER	1	
E7-4		1363881	GROUNDING TERMINAL	1	
E7-5		1363898	DUST COLLECT PLATE	2	
E7-6		827920	GROUNDING TIP	4	
E8	A	1362749	CONTACTOR ASS'Y	1	
E8-1		1363906	CONTACTOR	1	
E9	C	1362701	LAMP ASS'Y	1	
E10		1364062	GROUNDING TERMINAL	1	
E11		1364079	WIRE HARNESS (SAFETY SWITCH)	1	
E11-1	B	0944357	SAFETY SWITCH	1	SW3
E13		1364086	WIRE HARNESS (GROUNDING WIRE)	1	
E14		1397707	WIRE HARNESS ( FAN MOTOR)	1	
E15		1397699	POWER CABLE	1	
E16	A	1387995	FAN MOTOR	1	M1F
F1		1397714	FRONT PANEL ASS'Y	1	
F2		1397721	INDICATOR COVER (FRONT)	1	
F3		1363975	INDICATOR COVER (BACK)	1	
F4		1363982	REAR PLATE	1	
F5		1363999	CASING FRAME ASS'Y	1	
F6		1318672	LOCK NUT	1	
F7		1362787	LENS, L.E.D. LAMP	1	
F8		0948203	SET PLATE, FAN MOTOR	1	
F9		1364000	FIXTURE	1	
K1	A	1388020	REMOTE CONTROLLER ASS'Y	1	
K1-1		1362794	BATTERY COVER	1	
K1-2		1364024	BATTERY	1	
K2		1392308	ROLL FILTER ASS'Y	1	
K3			OPERATION MANUAL	1	