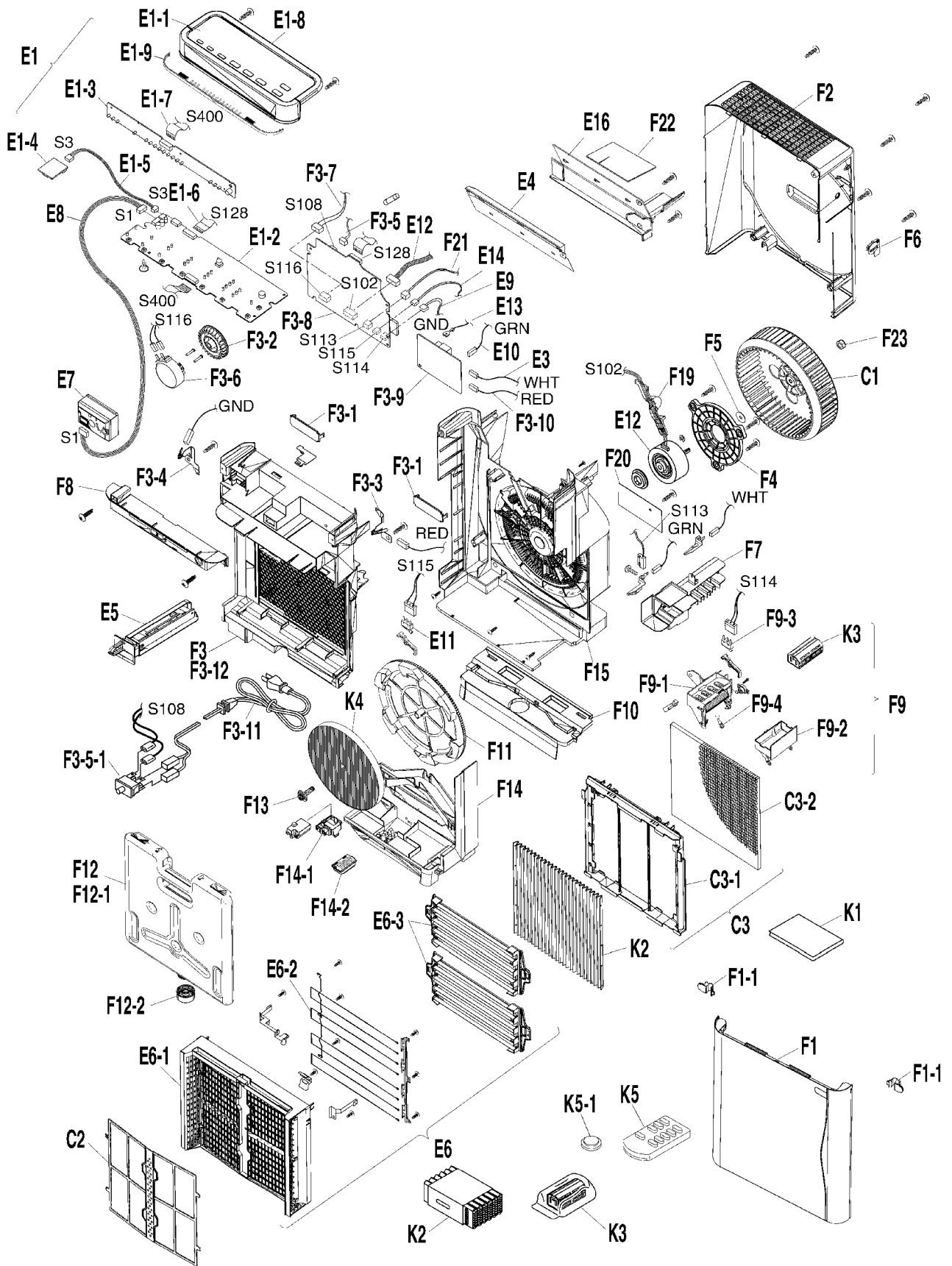


MCK75JVM-K

— TOP —



MCK75JVM-K (RoHS application)

No.	INDEX	PartsNo.	PartsName	PartsModel & Specification	Q'ty	wiring Symbol
C1		1900925	SIROCCO FAN ASSY.		1	
C2	A	1827859	AIR FILTER		1	
C3		1919222	MOUNTING PLATE ASSY. (FILTER)		1	
C3-1		1734685	SET PLATE/ FILTER		1	
C3-2	A	1918399	DEODORIZING FILTER		1	
E1			COVER ASSY./ OPERATION SIGN		1	
E1-1		1921047	INDICATION LABEL		1	
E1-2	A	1921054	PRINTED CIRCUIT ASSY. (OPERATION)		1	A2P
E1-3	A	1921061	PRINTED CIRCUIT ASSY. (DISPLAY)		1	A1P
E1-4	A	159883J	HUMIDITY SENSOR ASSY.	HSU-07C1-N	1	
E1-5		1900949	WIRE HARNESS (FOR TEMPERATURE/HUMIDITY SENSOR)		1	
E1-6		1900956	WIRE HARNESS (FOR DISPLAY)		1	
E1-7		1921078	WIRE HARNESS (FOR DISPLAY)		1	
E1-8		1921085	COVER/ OPERATION SIGN		1	
E1-9		1921092	BRAID		1	
E3		1900970	WIRE HARNESS (FOR HVU)		1	
E4		1900987	COVER/ SWITCH BOX		1	
E5		1900994	DISCHARGE PLATE UNIT ASSY.		1	
E6		1921100	FIXING FRAME ASSY./ IONIZER WIRE		1	
E6-1			FIXTURE/ IONIZER WIRE		1	
E6-2		1735099	IONIZER WIRE		4	
E6-3		1735107	DUST COLLECTING ELECTRODE PLATE ASSY.		2	
E7	A	1661763	DUST SENSOR	GP2Y1010AUOF	1	A6P
E8		1921117	WIRE HARNESS (FOR DUST SENSOR)		1	
E9		1901036	WIRE HARNESS (FOR POWER SUPPLY LIMIT SWITCH)		1	
E10		1901043	WIRE HARNESS (FOR GROUND)		1	
E11	A	1715437	LIMIT SWITCH	D2SW-P01L30T(S)	1	S2C
E12	A	1921124	DC FAN MOTOR	KFD-325-43-8B	1	M1F
E13		1901050	WIRE HARNESS (FOR GROUND)		1	
E14		1901067	WIRE HARNESS (FOR POWER SUPPLY LIMIT SWITCH)		1	
E16		1921131	INSULATION SHEET/ SWITCH BOX		1	
F1		1921148	FRONT PANEL ASSY.	SILVER	1	
F1			FRONT PANEL ASSY.	OPTION BCK75-BD (BLACK 1		

F1-1		1921155	FIXING PLATE/ FRONT PANEL		2	
F2		1921162	REAR PANEL ASSY.		1	
F3			FRAME ASSY.		1	
F3-1		1921186	CAP		2	
F3-2		1901120	GEAR		1	
F3-3		1734779	CONTACT SWITCH		1	
F3-4		1901137	EARTH PLATE		1	
F3-5		1901144	WIRE HARNESS ASSY. (FOR SAFETY SWITCH)		1	
F3-5-1	A	1901151	SWITCH		1	S1S
F3-6	A	1921193	AC INDUCTOR MOTOR	M2LB42ZR02	1	M1
F3-7		1901168	WIRE HARNESS (FOR HUMIDIFYING GEARED MOTOR)		1	
F3-8	A	1921201	PRINTED CIRCUIT ASSY. (POWER SUPPLY)		1	A3P
F3-9	A	1732285	PRINTED CIRCUIT ASSY. (HVU)		1	A4P
F3-10		1901175	WIRE HARNESS (FOR HVU)		1	
F3-11		1921218	POWER CORD ASSY.	2.5A-250V	1	X1P
F3-12		1919448	FRONT FRAME		1	
F4		147825J	SET PLATE/ FAN MOTOR		1	
F5		156697J	PLAIN WASHER		1	
F6		1921225	FIXTURE/ HOLDER		1	
F7		1921232	GUIDE ASSY.		1	
F8		1921249	SWITCH COVER ASSY.		1	
F9		1921256	HOLDER ASSY.		1	
F9-1			GUIDE/ HOLDER		1	
F9-2		1923632	HOLDER		1	
F9-3	A	1715437	LIMIT SWITCH	D2SW-P01L30T(S)	1	S1C
F9-4		1827866	SPRING		1	
F10		1921263	LEG		1	
F11		1901221	HUMIDIFYING ROTOR		1	
F12		1901238	WATER TANK ASSY.		1	
F12-1			WATER TANK		1	
F12-2		1901245	WATER TANK CAP ASSY.		1	
F13		1901252	SHAFT		1	
F14		1921270	WATER PAN ASSY.		1	
F14-1	A	1901276	FLOAT SWITCH ASSY.		1	S1L
F14-2		1921287	RESIN CASE ASSY.		1	

F15		1921294	CASING FRAME		1
F19		1921302	COVER		1
F20		1907034	DRIP PROOF PLATE	COLOR:BN-95(WHITE)	1
F21	A	1907041	PROXIMITY SENSOR	PS-3880-602	1
F22		1907058	DRIP PROOF PLATE		1
F23		043709J	LOCK NUT	M8	1
K1		1921319	OPERATION MANUAL		1
K2	A	1932131	FILTER		1
K3		99A0393	ACCESSORY SET (DEODORIZING CARTRIDGE)	OPTION	1
K4	A	99A0418	HUMIDIFYING ELEMENT		1
K5	A	1921326	REMOTE CONTROLLER ASSY.	ARC458A4	1
K5-1		1364024	BATTERY	CR2025	1